

Description

The 223 type is a direct pressure reducing valve suitable for water. The 223 type can be used for the pressure regulation on the feed water from an elevated water tank of middle or high building to each floor or pressure regulation of feed water connected directly with a pump without the elevated water tank system, etc. in construction facilities.



Limiting Conditions

Body Design Condition	PN16
Maximum Design Temperature	60 °C
Maximum Cold Hydraulic Test Pressure	30 kgf/cm ²
Minimum Ambient Temperature	5 °C

Operating Range

Adjustable Downstream Pressure 2 - 7 kgf/cm²

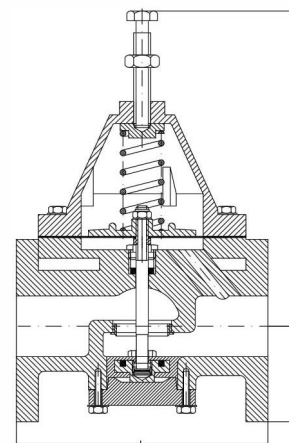
Sizes and Pipe Connections

DN 40, 50, 80 Flanged (DIN 2502)

Dimensions / Weights (Approximate) mm and kg

DN	L	G	H	Weight
40	205	75	235	14.5
50	205	85	240	15.5
80	325	100	325	29.5

Constructions are a bit different according the sizes.





E.S.E. Valve Co. Ltd.

021 66479486
0912 8448763

فروش

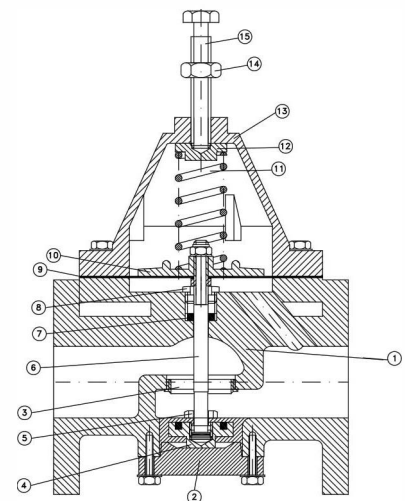
E.S.E. Valve Co.

Pressure Reducing Valves for Water - 223

Materials

No.	Part	Material
1	Body	GG 25
2	Cap Down	Gray Cast
3	Seat	AISI 304
4	Cap Disc	AISI 304
5	Glande 2	AISI 304
6	Spindle	AISI 304
5	Packing	Graphite or Teflon
6	Glande *	Brass
7	Diaphragm	Nylon Insert
8	Spring Washer Down	Gray Cast
9	Spring *	Cadmium Plate
10	Spring Washer Up	Gray Cast
11	Bonnet	GG 25
12	Adjusting Bolt	C.S.
13	Adjusting Nut	C.S.

Note: (*) Spare Part



Capacities

Size	DN 40	DN 50	DN 80
Cv	8	12	31

Note: The capacity of E.S.E valves is expressed as the flow co-efficient Cv. The flow co-efficient value Kvs is extensively used in Europe. Its relationship to the Cv unit is given by $Cv=1.167 Kvs$.

Installation

The valve should be installed in a horizontal pipeline with the direction of flow as indicated by the arrow on the valve body.

How to Order

Example: 223 – DN40, Pressure Reducing Valve.